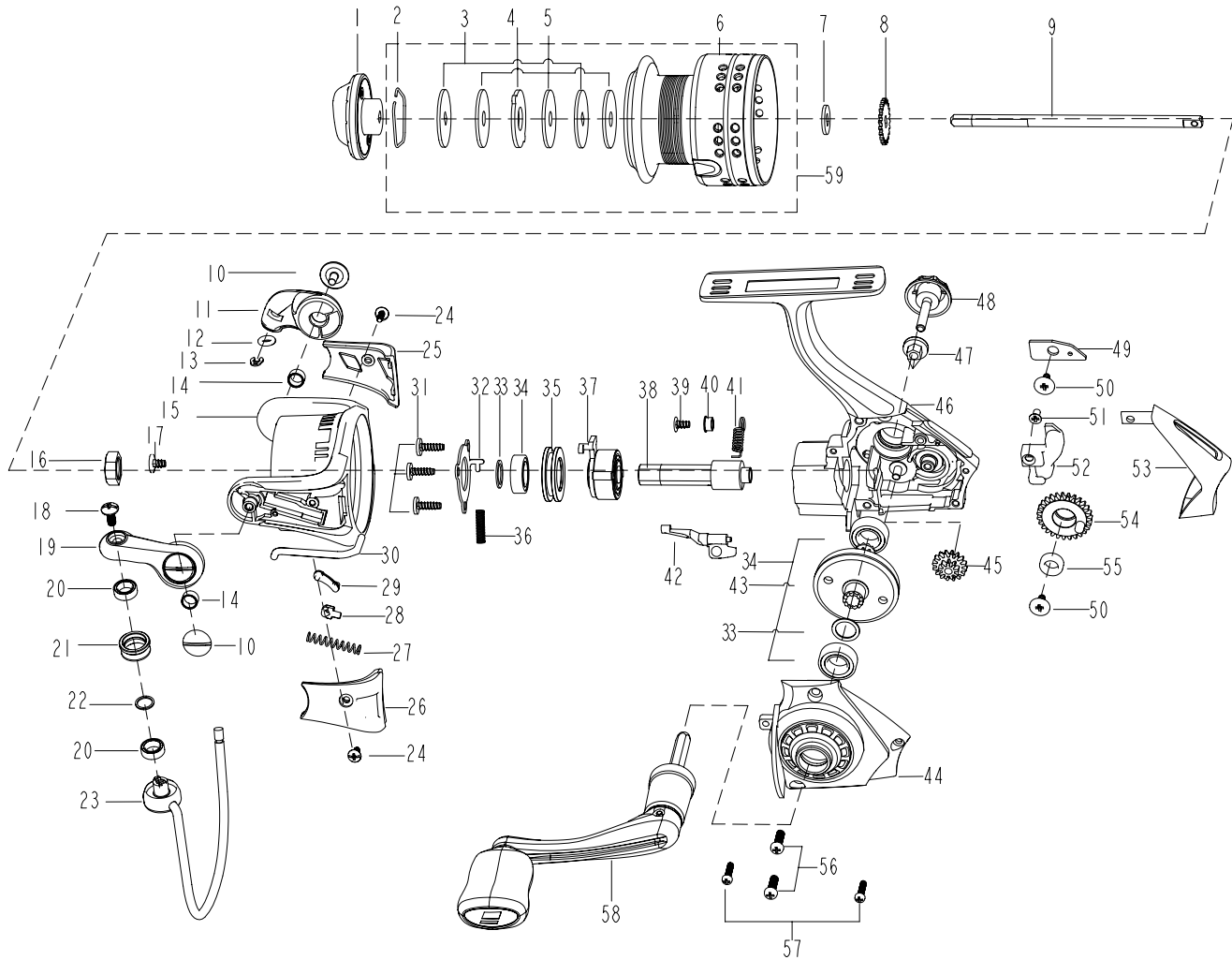


Abu Garcia. CARDINAL STX 20 30 40



KEY NO.	DESCRIPTION	PART NO.			KEY NO.	DESCRIPTION	PART NO.		
		20STX	30STX	40STX			20STX	30STX	40STX
1	Drag knob assy	1279780	1279780	1279780	31	Screw(3REQ)	1092844	1092844	1092844
2	Retainer ring	1085295	1085295	1085295	32	Pinion cover	1252715	1252715	1252715
3	Key washer(2REQ)	1085296	1085296	1085296	33	Washer(2REQ)	1114764	1114764	1114764
4	Eared washer	1085297	1085297	1085297	34	Bearing 7*13*4(3REQ)	1252717	1252717	1252717
5	Washer (3REQ)	1085298	1085298	1085298	35	Bearing holder	1280475	1280475	1280475
6	Spool	1279781	1279791	1279794	36	Clutch spring	1252716	1252716	1252716
7	Washer (T=0.5)	1178949	1178949	1178949	37	Clutch assy	1252719	1252719	1252719
8	Click gear	1126316	1126316	1118984	38	Pinion	1279732	1279732	1279732
9	Main shaft	1279725	1279725	1279748	39	Screw	1141435	1141435	1141435
10	Bail arm screw(2REQ)	1126379	1126379	1126379	40	Bushing	1279733	1279733	1279733
11	Bail holder	1280990	1280990	1280990	41	Clutch switch spring	1252722	1252722	1252722
12	O ring	1252708	1252708	1252708	42	Clutch switch	1280992	1280992	1280992
13	E- clip	1252707	1252707	1252707	43	Drive gear	1279734	1279734	1279734
14	Bushing(2RE)	1188261	1188261	1188261	44	Body cover	1279787	1279787	1279799
15	Rotor	1279783	1279793	1279796	45	Reduction gear	1252732	1252732	1252732
16	Rotor nut	1085273	1085273	1085273	46	Body	1279788	1294603	1279800
17	Nut set Screw	1126258	1126258	1126258	47	Washer	1092781	1092781	1092781
18	Line roller screw	1126261	1126261	1126261	48	Handle screw	1279789	1279789	1279789
19	Bail arm	1280991	1280991	1280991	49	Slider retainer	1126332	1126332	1121651
20	Ball bearing (2REQ)	1112125	1112125	1112125	50	Screw (2REQ)	1188428	1188428	1188428
21	Line roller	1252705	1252705	1252705	51	Slider screw	1126275	1126275	1126275
22	Washer	1110165	1110165	1110165	52	Slider	1279738	1279738	1279756
23	Bail assy	1279728	1279744	1279750	53	Rear cover	1279790	1279790	1279801
24	Screw(2REQ)	1125962	1125962	1125962	54	Oscillation gear	1252730	1252730	1253701
25	Bail holder cover	1279785	1279785	1279797	55	Bushing	1108938	1108938	1108938
26	Bail arm cover	1279786	1279786	1279798	56	Screw (2REQ)	1085599	1085599	1119026
27	Trip spring	1119106	1119106	1119106	57	Screw (2REQ)	1117984	1117984	1117984
28	Bail slider	1126272	1126272	1126272	58	Handle assy	1279784	1279784	1279784
29	Trip linkage	1252713	1252713	1252713	59	Spool assy	1279782	1279792	1279795
30	Trip bar	1279731	1279745	1279753					